

BULBO Concrete Washbasin



Technical brochure - Product usage guideline - Aftercare

JAN.2017

This product is made of cast concrete. Design by Valentino Marengo in 2017.

Our company specializes in the production of concrete elements. The raw material we use to manufacture our products is a GFRC (glass fiber reinforced concrete). This is a unique mixture of cement, additives enhancers, aggregates, reinforced with glass fibers.

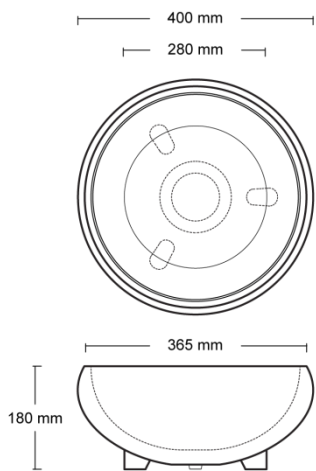


The durability of concrete is known from the building construction.

However the untreated concrete is not sufficient to construct a functional washbasin. The concrete is porous, so it absorbs and smudges easily. That's why is necessary the treatment and the sealing of the surface, in order to be waterproof and protected from unwanted stains.

The four stages of the waterproofing system which we apply over the surface, consisting of specific varnishes, achieves the best result while also does not affect the natural appearance and texture of the concrete.





Diameter: 36,5-40 cm
 Height: 18 cm
 Weight: 14 kil

Each design element that is made from concrete, acquires value thanks to its uniqueness, its character, its aspect. Available in 6 shades (light gray, gray, dark gray, anthracite, ivory, brown Beige) with various grades of hue in every piece, as well as between the pieces.



If we select to live with concrete, it will be supposed in advance that we have decided to respect its nature. We will be ready to make reprocesses in our habits. We will attend it as much as it needs in order that its ageing will be done smoothly, without deterioration.

Warrantee valid for 2 years.

This product is intended for private or public bathrooms, WC, and for indoor usage only.

Load resistance: durable in accordance of EN 14688

Although the concrete is a very hard material, it could break like a marble or a stone or ceramic. For this reason avoid the impact of heavy objects directly onto the concrete surface.

Resistance to abrasion

The stain protection top layer is strong enough for the usual daily usage, in accordance of EN 14688

We recommend, not to rub the surfaces with sharp objects like wire, metal objects or tools and hard sponges. The frequent use of those objects could wears out the sealing.

Resistance against chemicals and staining agents

The surface is cleanable and resistant from stain in accordance of EN 14688. We recommend if you pour colored liquids, remove them with water before they dry, so you don't have to rub it excessively later. Always use soft sponges and common detergents for cleaning.

Avoid the pouring of acids, solvents or alcohol, however if so, remove them with water in reasonable time. The frequent use of such kind of liquids could corrode the sealing.

Resistance to temperature changes

This washbasin is tested and durable in the usual temperature changes of water, in accordance of EN 14688

We recommend avoiding the usage of boiled – very hot water, especially the frosty days.

For further technical information or advice of usage, contact our technical department.

Urbi et Orbi : based in Greece, Thessalonikis 61 - 18233 Athens - GR076200106/ T. 0030 210 4520178
 Email: info@urbietorbi.gr Web: www.urbietorbi.gr

