



TECHNICAL SPECIFICATIONS

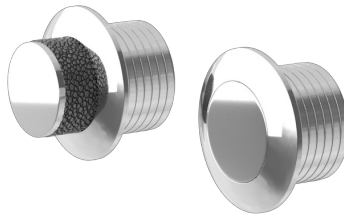
P2993-APBC LATCHING HANDLE
 ROUND ON ROUND - SHAGREEN RECESS AMALFINE IN ALUPEWT AND BRIGHT CHROME



ALUPEWT (AP)



BRIGHT CHROME (BC)



Latch sold separately

36_{max} length (l) | 3_{max} projection (p) | 36_{max} max grip width (w)

Dimensional Tolerance +/- 1.5_{mm}

NOT TO SCALE

OTHER FINISH OPTIONS

Amalfine Finishes



BLACK BRONZE BB

COCOA CO

ALUPEWT AP

SILVER BRONZE SB

SAND SA



BRIGHT CHROME BC

SATIN NICKEL SN

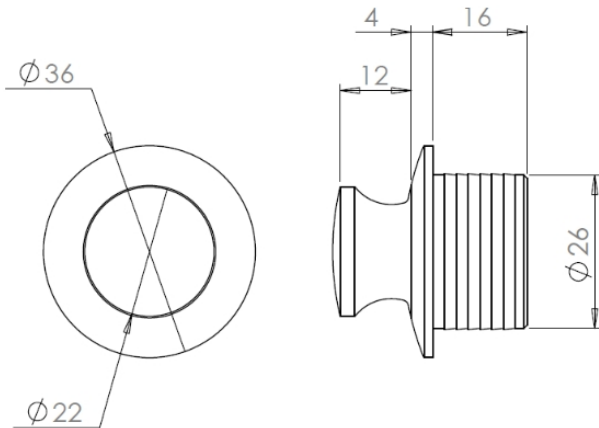
POLISHED NICKEL PN

POLISHED BRASS PU

FINE ANTIQUE BRASS FA

VINTAGE NICKEL VN

VINTAGE PATINA VP



Recommended latch PLK0210
 contact sales for details

