

Cast Concrete Elements

# WASHBASIN



IMMISSIO 40 page 26/27

SIMAN sink..... 18-19



PLURA ..... 20-21



IMMISSIO 70..... 22-23



IMMISSIO 60..... 24-25



IMMISSIO 40..... 26-27



INVIVO 60..... 28-29



INVIVO 40..... 30-31



CONICIS 60 ..... 32-33



CONICIS 40 ..... 34-35



TRACCIA ..... 36-37



OMBRA..... 38-39



CIRCUM 48 ..... 40-41



CIRCUM 42 ..... 42-43



CIRCUM 40 ..... 44-45



CALDERA ..... 46-47



BULBO..... 48-49



OBLIQUO ..... 50-51



CIRCUM 3831 ..... 52-53



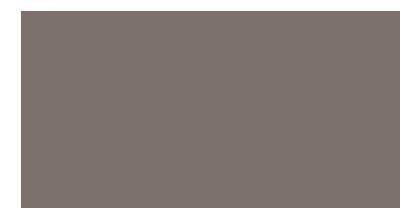
CIRCUM 3826 ..... 54-55



CIRCUM 3817 ..... 56-57



## BASIC



Anthracite



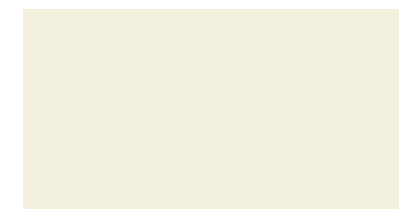
Dark Grey



Medium Grey



Light Grey



Ivory



Brown/Beige

*Our products can be produced on demand, in different colors from the Bayer palette.*

*A richiesta sono disponibili altri colori della gamma Bayer.*

*Auf Wunsch sind auch in anderen Farben der Bayer Palette erhältlich.*

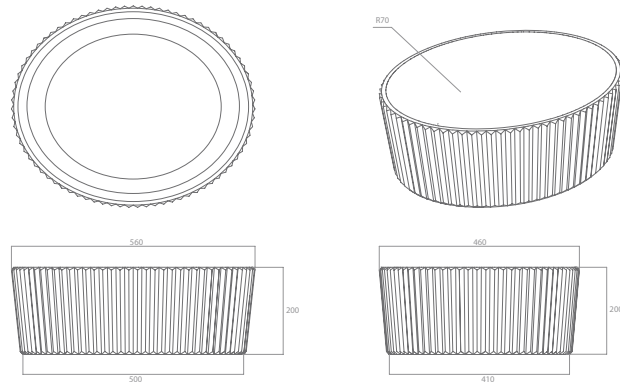
# SIMAN basin

concrete washbasin



A postcard representing the ancient Toghrol tower, situated near Teheran (Iran) was the starting point for this collection.

The name comes from the Farsi term "siman", which means concrete. Marked by the iconic pleating – which creates an everchanging game of shadows and depths.



 33 KG



page: 18|19



SIMAN basin is made of cast concrete. Design by Gian Paolo Venier in 2019.

SIMAN basin è realizzato in cemento. Design realizzato da Gian Paolo Venier nel 2019.

SIMAN basin wird aus Gussbeton hergestellt. Design von Gian Paolo Venier, 2019.



# PLURA (UNI-TERRA)

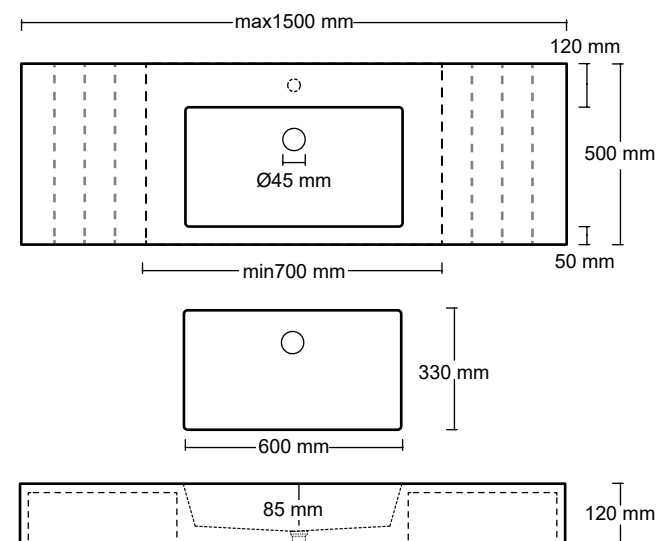
concrete washbasin



UNI



TERRA



(PLURA TERRA)

Available in Anthracite terrazzo  
Disponibile in Anthracite terrazzo  
Erhältlich in Anthrazit terrazzo

Available in 6 shades (Anthracite, Dark Grey, Medium Grey, Light Grey, Ivory, Brown/Beige).

Disponibile in sei tonalità (Antracite, Grigio Scuro, Grigio Medio, Grigio Chiaro, Avorio, Marrone / Beige).

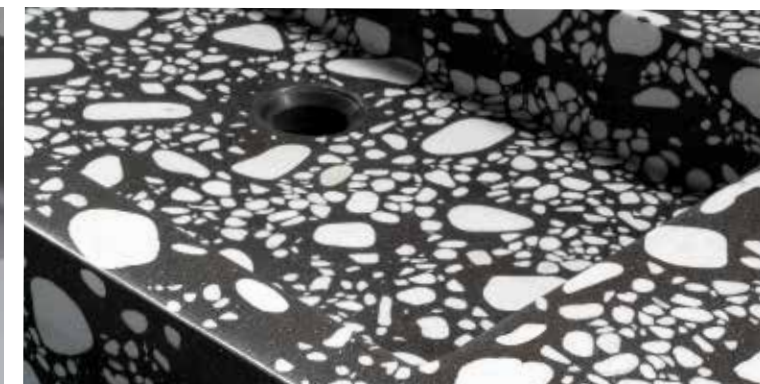
In 6 Farben erhältlich (Anthrazit, Dunkelgrau, mittleres Grau, Hellgrau, Elfenbeinfarben, Braun/Beige).



PLURA is made of cast concrete. Design by Urbi et Orbi studio, 2018.

PLURA è realizzato in cemento. Design realizzato da Urbi et Orbi studio, 2018.

PLURA wird aus Gussbeton hergestellt. Design von Urbi et Orbi studio, 2018.



## PLURA UNI

The durability of concrete is known from the building construction. However the untreated concrete is not sufficient to construct a functional washbasin. Concrete is porous, so it absorbs and smudges easily. So, in order to be waterproof and protected from unwanted stains, is necessary the treatment and the sealing of the surface. The waterproofing system which we apply over the surface, consisting of specific varnishes in four stages, and achieves the best result while also does not affect the natural appearance and the texture of concrete.

## PLURA TERRA

Terrazzo mosaic is another option for concrete finish: the well-known polished surface, impregnated with penetrating fluid which protects against staining. Terrazzo mosaic is also available in a combination of many colors and aggregates. Although originating in the old days, Terrazzo mosaic is classified by modern architecture and design experts as a modern floor and wall coating material. With the advent of technology, Terrazzo mosaic has evolved by expanding to a wider variety of colors that practically know no boundaries. Additionally, the industry has searched for and produced protective fluids and cleaning agents that reinforce its durability so its beauty can remain intact. Terrazzo mosaic does not deteriorate and does not need to be maintained every few years. Its properties and beauty resemble those of marble and granite, only to a lower price. It can be easily cleaned due to its very smooth and polished surface. This also renders it ideal for spaces where top hygiene conditions are required.

The Plura washbasin, its name chosen to convey the concepts of plurality and diversity, can be adjusted to the dimensions that will satisfy your demands, with a lower cost of production. Manufacturing a washbasin with special dimensions out of concrete is indeed a far more expensive procedure than the massive production process of a washbasin with fixed dimensions. Indeed, a special product like this requires the creation of both an original product and a mold, before the final product can be manufactured. Therefore, in order to make products at a lower cost, we created multiform molds that can be adjusted to your desired dimensions. The sink, i.e. the concave part of the Plura washbasin, has fixed dimensions. The shape of the sink can be rectangular, round or oval, and it can be mounted on any part of the countertop, in its center or on its edge.

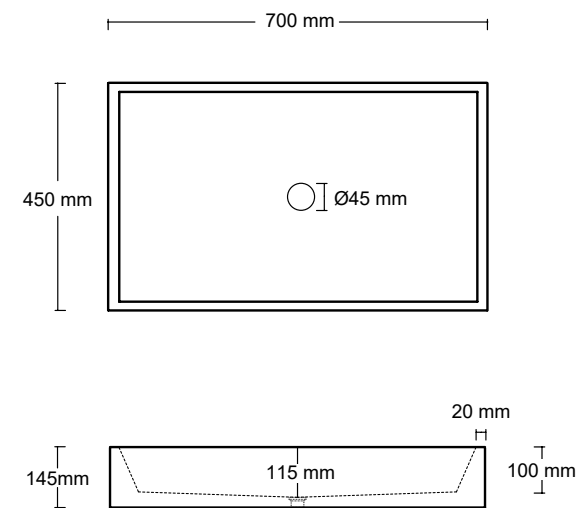
Their dimensions, however, are fixed and cannot be changed.

The external dimensions of the Plura washbasin can vary, with a length of 70 to 150 cm, a width of 43 to 50 cm and a fixed height of 12 cm.

The Plura washbasin can be mounted on furniture and on the wall (using a special mounting kit), with or without a faucet hole on the counter. The Plura washbasin is available in the 6 standard colors of our collection, while more colors can also be made available. An alternative to these is the terrazzo finish, featuring various colors of concrete and white chips.

# IMMISSIO 70

concrete washbasin



 37 KG



page: 18|19

Available in 6 shades (Anthracite, Dark Grey, Medium Grey, Light Grey, Ivory, Brown/Beige).

Disponibile in sei tonalità (Antracite, Grigio Scuro, Grigio Medio, Grigio Chiaro, Avorio, Marrone / Beige).

In 6 Farben erhältlich (Anthrazit, Dunkelgrau, mittleres Grau, Hellgrau, Elfenbeinfarben, Braun/Beige).



IMMISSIO 70 is made of cast concrete. Design by Valentino Marengo in 2017.

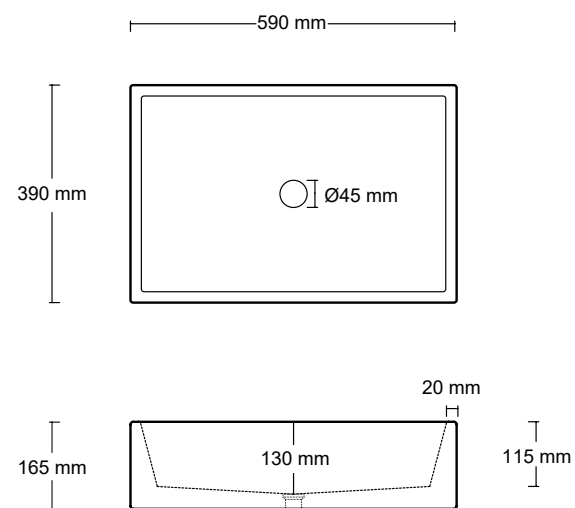
IMMISSIO 70 è realizzato in cemento. Design realizzato da Valentino Marengo nel 2017.

IMMISSIO 70 wird aus Gussbeton hergestellt. Design von Valentino Marengo, 2017.



# IMMISSIO 60

concrete washbasin



32 KG 



page: 18|19

Available in 6 shades (Anthracite, Dark Grey, Medium Grey, Light Grey, Ivory, Brown/Beige).

Disponibile in sei tonalità (Antracite, Grigio Scuro, Grigio Medio, Grigio Chiaro, Avorio, Marrone / Beige).

In 6 Farben erhältlich (Anthrazit, Dunkelgrau, mittleres Grau, Hellgrau, Elfenbeinfarben, Braun/Beige).



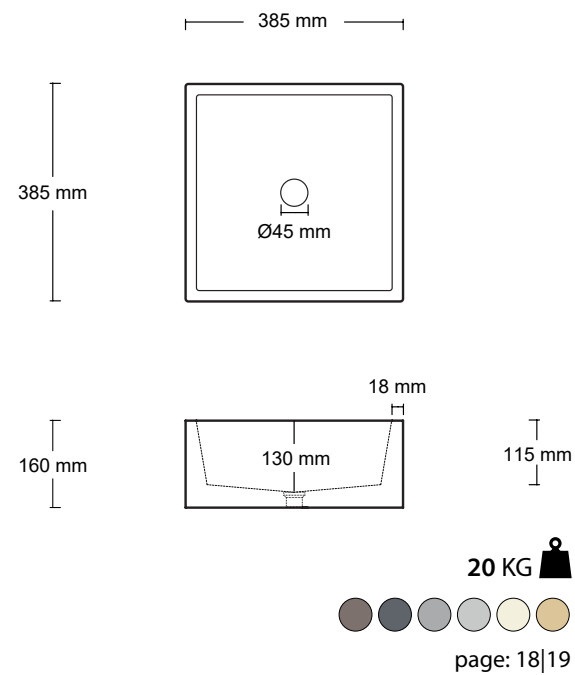
IMMISSIO 60 is made of cast concrete.  
Design by Urbi et Orbi in 2013.

IMMISSIO 60 è realizzato in cemento.  
Design realizzato da Urbi et Orbi nel 2013.

IMMISSIO 60 wird aus Gussbeton hergestellt.  
Design von Urbi et Orbi, 2013.

# IMMISSIO 40

concrete washbasin



Available in 6 shades (Anthracite, Dark Grey, Medium Grey, Light Grey, Ivory, Brown/Beige).

Disponibile in sei tonalità (Antracite, Grigio Scuro, Grigio Medio, Grigio Chiaro, Avorio, Marrone / Beige).

In 6 Farben erhältlich (Anthrazit, Dunkelgrau, mittleres Grau, Hellgrau, Elfenbeinfarben, Braun/Beige).

Milos Breeze boutique hotel renovation  
Cyclades Greece  
Design by VOIS Architects in 2016



IMMISSIO 40 is made of cast concrete. Design by Urbi et Orbi in 2012.

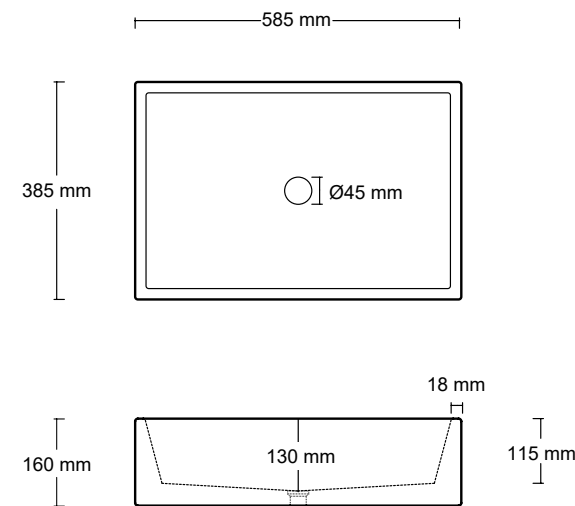
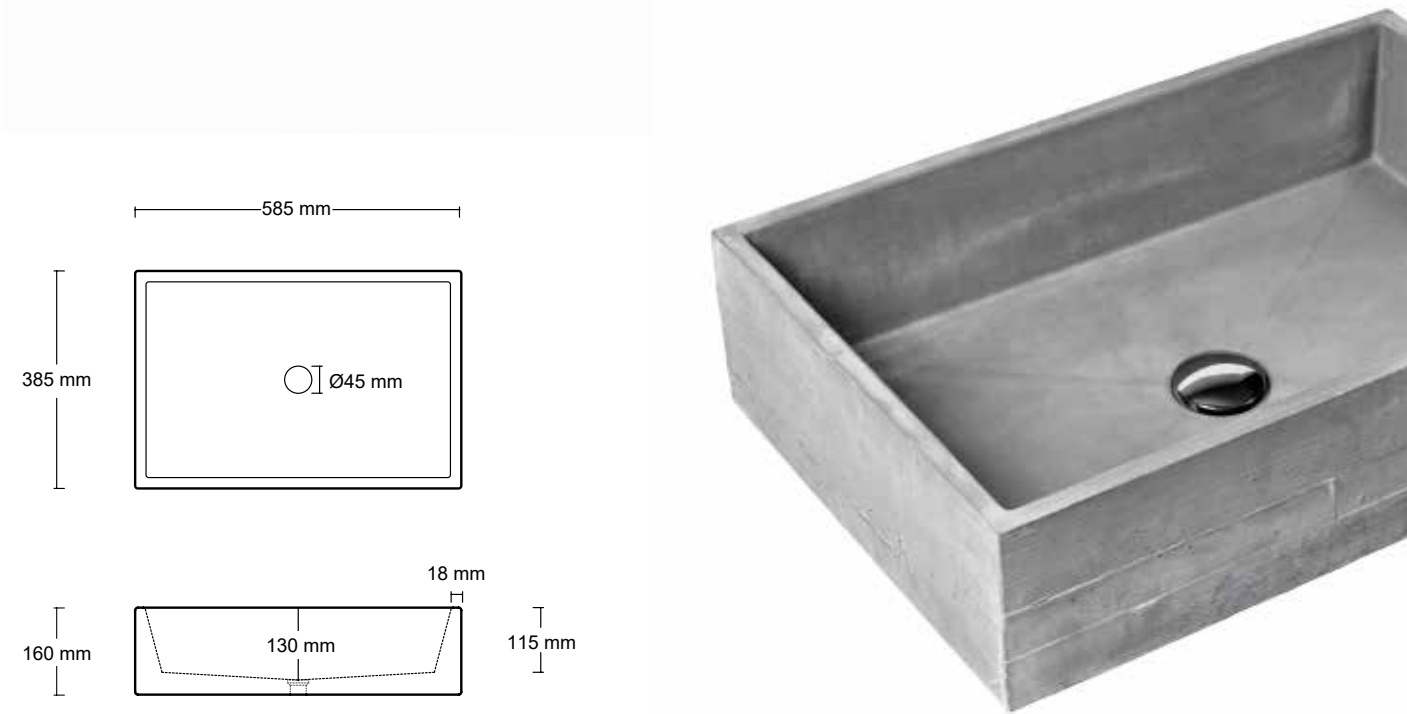
IMMISSIO 40 è realizzato in cemento. Design realizzato da Urbi et Orbi nel 2012.



IMMISSIO 40 wird aus Gussbeton hergestellt. Design von Urbi et Orbi, 2012.



# INVIVO 60

concrete washbasin



 **30 KG**  
  
page: 18|19

Available in 6 shades (Anthracite, Dark Grey, Medium Grey, Light Grey, Ivory, Brown/Beige).

Disponibile in sei tonalità (Antracite, Grigio Scuro, Grigio Medio, Grigio Chiaro, Avorio, Marrone / Beige).

In 6 Farben erhältlich (Anthrazit, Dunkelgrau, mittleres Grau, Hellgrau, Elfenbeinfarben, Braun/Beige).

INVIVO 60 is made of cast concrete. Design by Urbi et Orbi in 2013.

INVIVO 60 è realizzato in cemento. Design realizzato da Urbi et Orbi nel 2013.

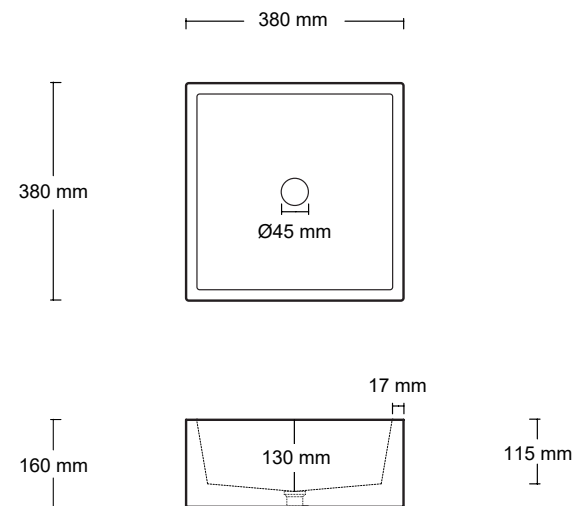
INVIVO 60 wird aus Gussbeton hergestellt. Design von Urbi et Orbi, 2013.





# INVIVO 40

concrete washbasin



20 KG 



page: 18|19

Available in 6 shades (Anthracite, Dark Grey, Medium Grey, Light Grey, Ivory, Brown/Beige).

Disponibile in sei tonalità (Antracite, Grigio Scuro, Grigio Medio, Grigio Chiaro, Avorio, Marrone / Beige).

In 6 Farben erhältlich (Anthrazit, Dunkelgrau, mittleres Grau, Hellgrau, Elfenbeinfarben, Braun/Beige).



INVIVO 40 is made of cast concrete.  
Design by Urbi et Orbi in 2013.

INVIVO 40 è realizzato in cemento.  
Design realizzato da Urbi et Orbi nel 2013.

INVIVO 40 wird aus Gussbeton hergestellt.  
Design von Urbi et Orbi, 2013.

# CONICIS 60

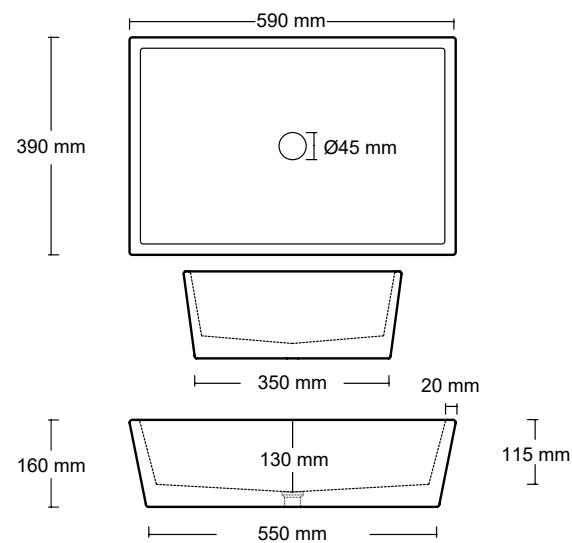
concrete washbasin



CONICIS 60 is made of cast concrete.  
Design by Urbi et Orbi in  
2013.

CONICIS 60 è realizzato in cemento.  
Design realizzato da Urbi et Orbi nel  
2013.

CONICIS 60 wird aus Gussbeton.  
Design von Urbi et Orbi,  
2013.



 31 KG



page: 18|19

Available in 6 shades (Anthracite, Dark Grey, Medium Grey, Light Grey, Ivory, Brown/Beige).

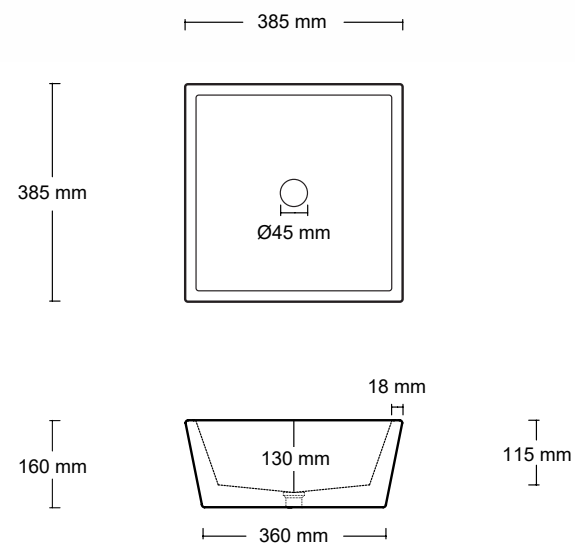
Disponibile in sei tonalità (Antracite, Grigio Scuro, Grigio Medio, Grigio Chiaro, Avorio, Marrone / Beige).

In 6 Farben erhältlich (Anthrazit, Dunkelgrau, mittleres Grau, Hellgrau, Elfenbeinfarben, Braun/Beige).



# CONICIS 40

concrete washbasin



19 KG 



page: 18|19

Available in 6 shades (Anthracite, Dark Grey, Medium Grey, Light Grey, Ivory, Brown/Beige).

Disponibile in sei tonalità (Antracite, Grigio Scuro, Grigio Medio, Grigio Chiaro, Avorio, Marrone / Beige).

In 6 Farben erhältlich (Anthrazit, Dunkelgrau, mittleres Grau, Hellgrau, Elfenbeinfarben, Braun/Beige).



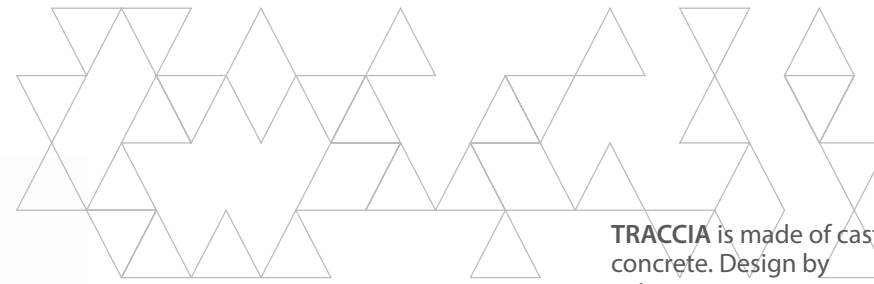
CONICIS 40 is made of cast concrete. Design by Urbi et Orbi in 2013.

CONICIS 40 è realizzato in cemento. Design realizzato da Urbi et Orbi nel 2013.

CONICIS 40 wird aus Gussbeton. Design von Urbi et Orbi, 2013.

# TRACCIA

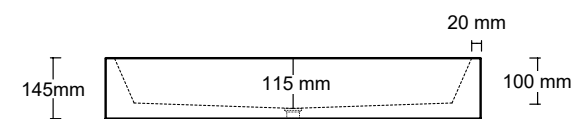
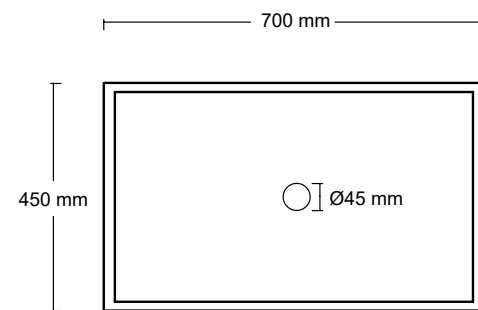
concrete washbasin



TRACCIA is made of cast concrete. Design by Valentino Marengo in 2017.

TRACCIA è realizzato in cemento. Design realizzato da Valentino Marengo nel 2017.

TRACCIA wird aus Gussbeton hergestellt. Design von Valentino Marengo, 2017.



 37 KG



page: 18|19

Available in Light Grey with Light Grey, Medium Grey or Dark Grey 3D pattern.

Disponibile in Grigio Chiaro con motivo geometrico Grigio Chiaro, Grigio Medio o Grigio Scuro.

In Hellgrau mit Hellgrau, mittleres Grau oder Dunkelgrau 3D muster.

# OMBRA

concrete washbasin



30 KG 



page: 18|19

Available in Light Grey with Dark Grey  
3D pattern.

Disponibile in Grigio Chiaro con motivo geometrico  
Grigio Scuro.

In Hellgrau mit Dunkelgrau  
3D muster.



**OMBRA** is made of cast concrete. Design by Valentino Marengo in 2017.  
The air holes are a natural appearance of concrete.  
The designer instructed them in that way in order to exhibit twigs and leaves in pixelate view.

**OMBRA** è realizzato in cemento.  
Design realizzato da Valentino Marengo nel 2017.  
La presenza di forellini causati dall'aria è una caratteristica naturale del cemento. In questo prodotto il designer ha valorizzato tale caratteristica sfruttando creativamente i forellini alla maniera di pixel per creare una composizione di rami e foglie.

**OMBRA** wird aus aus Gussbeton.  
Design von Valentino Marengo, 2017.  
Die Luftlöcher sind ein typisches Merkmal vom Beton.  
Sie wurden so hergestellt, dass sie den Eindruck verpixelter Baumzweige und Blätter geben.



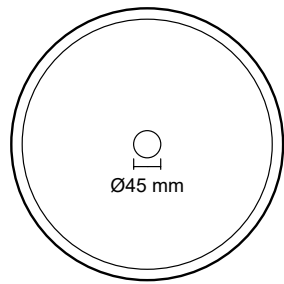
# CIRCUM 48

concrete washbasin

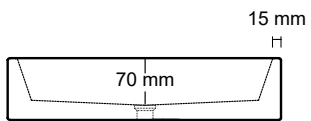


Ø480 mm

big



100 mm



60 mm

15.5 KG



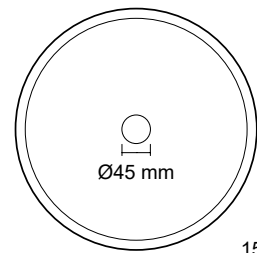
page: 18|19

Available in 6 shades (Anthracite, Dark Grey, Medium Grey, Light Grey, Ivory, Brown/Beige).

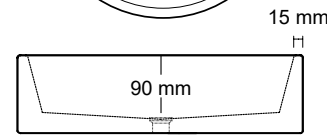
Disponibile in sei tonalità (Antracite, Grigio Scuro, Grigio Medio, Grigio Chiaro, Avorio, Marrone / Beige).

Ø390 mm

small



120 mm



80 mm

15 KG



page: 18|19

In 6 Farben erhältlich (Anthrazit, Dunkelgrau, mittleres Grau, Hellgrau, Elfenbeinfarben, Braun/Beige).

CIRCUM 48 is made of cast concrete.  
Design by Urbi et Orbi in 2013.

CIRCUM 48 è realizzato in cemento.  
Design realizzato da Urbi et Orbi nel 2013.

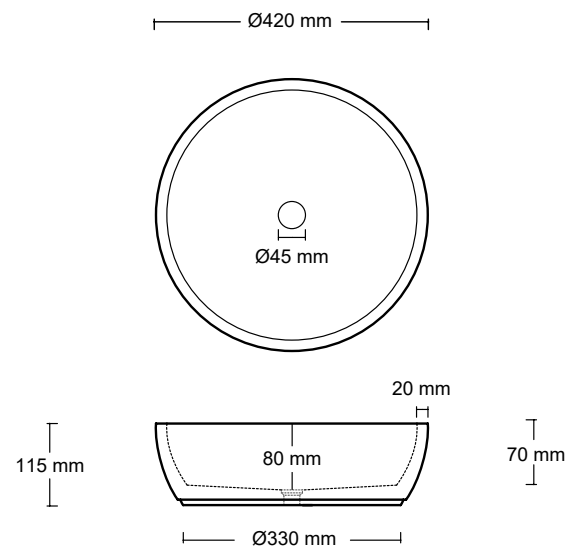
CIRCUM 48 wird aus Gussbeton hergestellt.  
Design von Urbi et Orbi, 2013.



BAGNO Y BAGNO Showroom

# CIRCUM 42

concrete washbasin



12 KG 



page: 18|19

Available in 6 shades (Anthracite, Dark Grey, Medium Grey, Light Grey, Ivory, Brown/Beige).

Disponibile in sei tonalità (Antracite, Grigio Scuro, Grigio Medio, Grigio Chiaro, Avorio, Marrone / Beige).

In 6 Farben erhältlich (Anthrazit, Dunkelgrau, mittleres Grau, Hellgrau, Elfenbeinfarben, Braun/Beige).



CIRCUM 42 is made of cast concrete.  
Design by Urbi et Orbi in 2013.

CIRCUM 42 è realizzato in cemento.  
Design realizzato da Urbi et Orbi nel 2013.

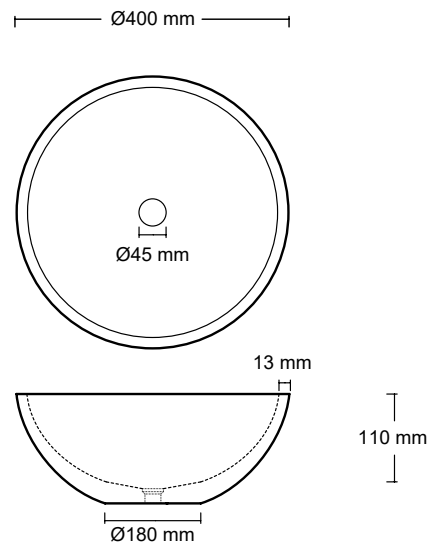
CIRCUM 42 wird aus Gussbeton hergestellt.  
Design von Urbi et Orbi, 2013.



Mi casa Su casa showroom

# CIRCUM 40

concrete washbasin



 9.5 KG



page: 18|19

Available in 6 shades (Anthracite, Dark Grey, Medium Grey, Light Grey, Ivory, Brown/Beige).

Disponibile in sei tonalità (Antracite, Grigio Scuro, Grigio Medio, Grigio Chiaro, Avorio, Marrone / Beige).

In 6 Farben erhältlich (Anthrazit, Dunkelgrau, mittleres Grau, Hellgrau, Elfenbeinfarben, Braun/Beige).



CIRCUM 40 is made of cast concrete.  
Design by Urbi et Orbi in 2012.

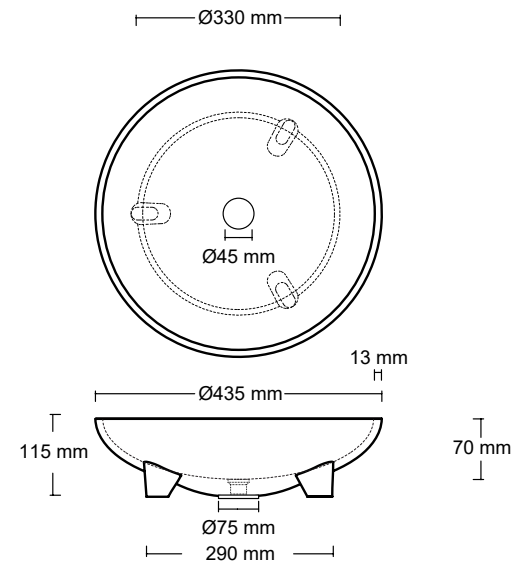
CIRCUM 40 è realizzato in cemento.  
Design realizzato da Urbi et Orbi nel 2012.

CIRCUM 40 wird aus Gussbeton.  
Design von Urbi et Orbi, 2012.



# CALDERA

concrete washbasin



10 KG 

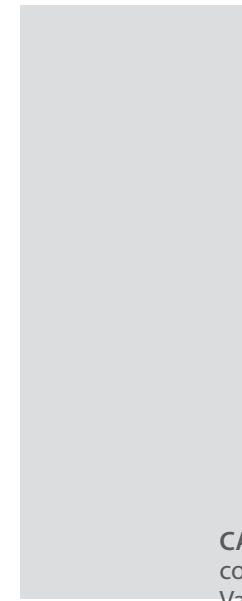


page: 18|19

Available in 6 shades (Anthracite, Dark Grey, Medium Grey, Light Grey, Ivory, Brown/Beige).

Disponibile in sei tonalità (Antracite, Grigio Scuro, Grigio Medio, Grigio Chiaro, Avorio, Marrone / Beige).

In 6 Farben erhältlich (Anthrazit, Dunkelgrau, mittleres Grau, Hellgrau, Elfenbeinfarben, Braun/Beige).



CALDERA is made of cast concrete. Design by Valentino Marengo in 2017.

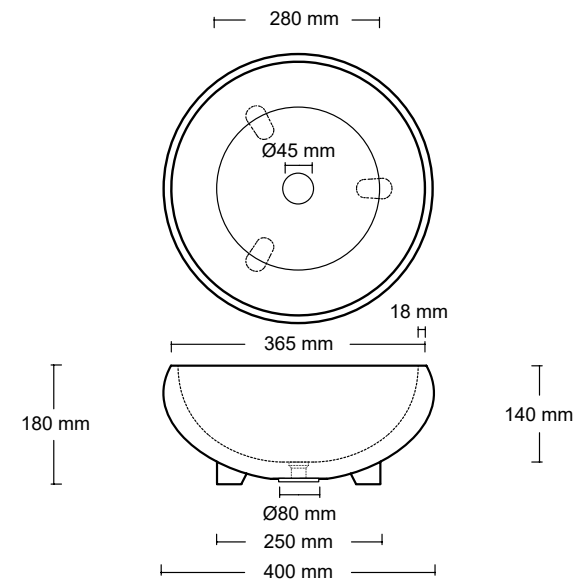
CALDERA è realizzato in cemento. Design realizzato da Valentino Marengo nel 2017.

CALDERA wird aus Gussbeton hergestellt. Design von Valentino Marengo, 2017.



# BULBO

concrete washbasin



 9.5 KG



page: 18|19

Available in 6 shades (Anthracite, Dark Grey, Medium Grey, Light Grey, Ivory, Brown/Beige).

Disponibile in sei tonalità (Antracite, Grigio Scuro, Grigio Medio, Grigio Chiaro, Avorio, Marrone / Beige).

In 6 Farben erhältlich (Anthrazit, Dunkelgrau, mittleres Grau, Hellgrau, Elfenbeinfarben, Braun/Beige).

BULBO is made of cast concrete. Design by Valentino Marengo in 2017.

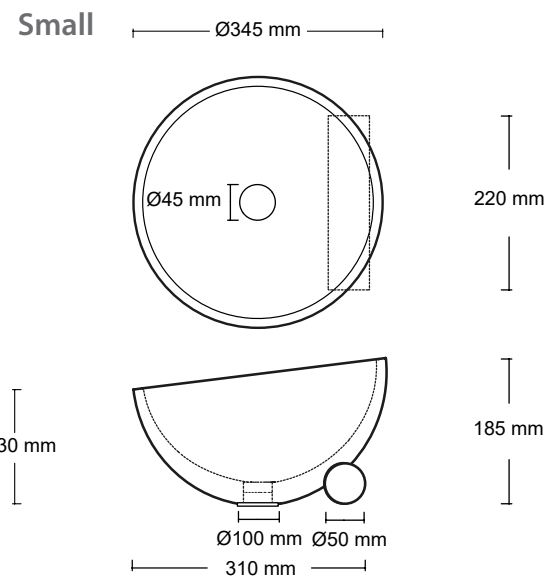
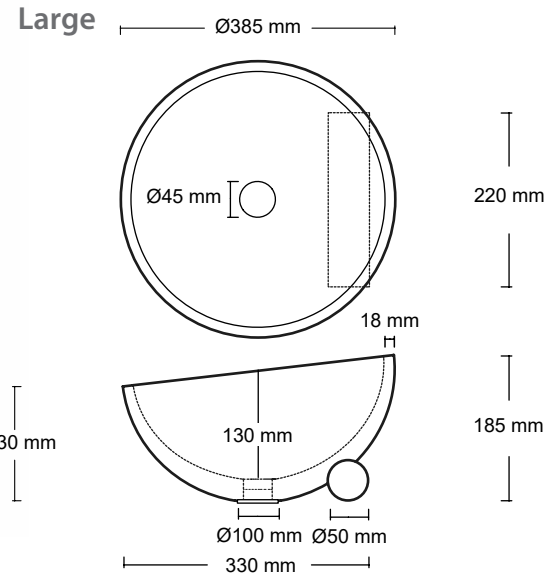
BULBO è realizzato in cemento. Design realizzato da Valentino Marengo nel 2017.

BULBO wird aus Gussbeton hergestellt. Design von Valentino Marengo, 2017.



# OBLIQUO

concrete washbasin



9 KG



page: 18|19

Available in 6 shades (Anthracite, Dark Grey, Medium Grey, Light Grey, Ivory, Brown/Beige).

Disponibile in sei tonalità (Antracite, Grigio Scuro, Grigio Medio, Grigio Chiaro, Avorio, Marrone / Beige).

In 6 Farben erhältlich (Anthrazit, Dunkelgrau, mittleres Grau, Hellgrau, Elfenbeinfarben, Braun/Beige).



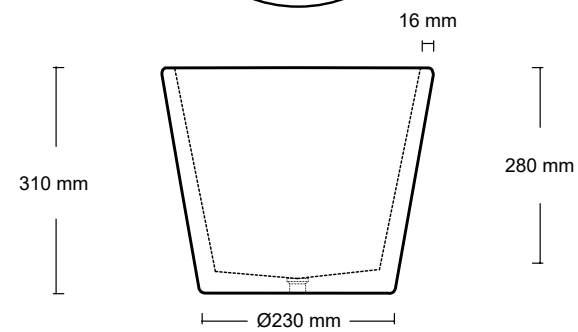
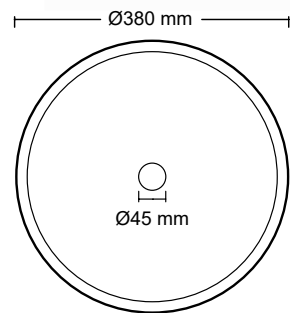
OBLIQUO is made of cast concrete. Design by Valentino Marengo in 2017.

OBLIQUO è realizzato in cemento. Design realizzato da Valentino Marengo nel 2017.

OBLIQUO wird aus Gussbeton hergestellt. Design von Valentino Marengo, 2017.

# CIRCUM 3831

concrete washbasin



 12 KG



page: 18|19

Available in 6 shades (Anthracite, Dark Grey, Medium Grey, Light Grey, Ivory, Brown/Beige).

Disponibile in sei tonalità (Antracite, Grigio Scuro, Grigio Medio, Grigio Chiaro, Avorio, Marrone / Beige).

In 6 Farben erhältlich (Anthrazit, Dunkelgrau, mittleres Grau, Hellgrau, Elfenbeinfarben, Braun/Beige).



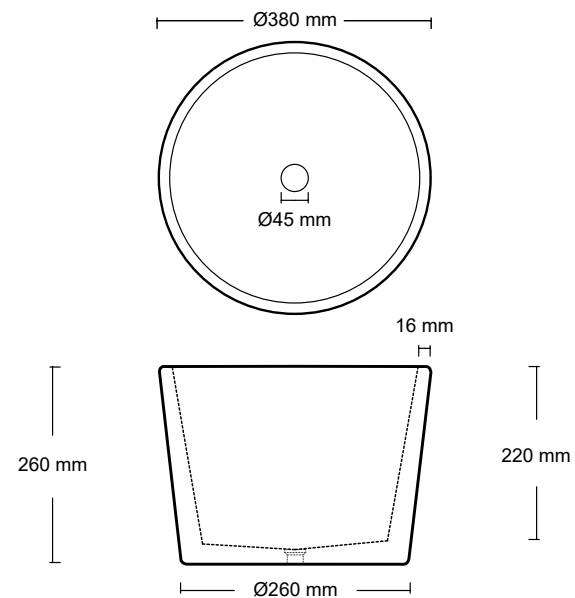
CIRCUM 3831 is made of cast concrete. Design by Urbi et Orbi in 2013.

CIRCUM 3831 è realizzato in cemento. Design realizzato da Urbi et Orbi nel 2013.

CIRCUM 3831 wird aus Gussbeton. Design von Urbi et Orbi, 2013.

# CIRCUM 3826

concrete washbasin



11 KG 



page: 18|19

Available in 6 shades (Anthracite, Dark Grey, Medium Grey, Light Grey, Ivory, Brown/Beige).

Disponibile in sei tonalità (Antracite, Grigio Scuro, Grigio Medio, Grigio Chiaro, Avorio, Marrone / Beige).

In 6 Farben erhältlich (Anthrazit, Dunkelgrau, mittleres Grau, Hellgrau, Elfenbeinfarben, Braun/Beige).



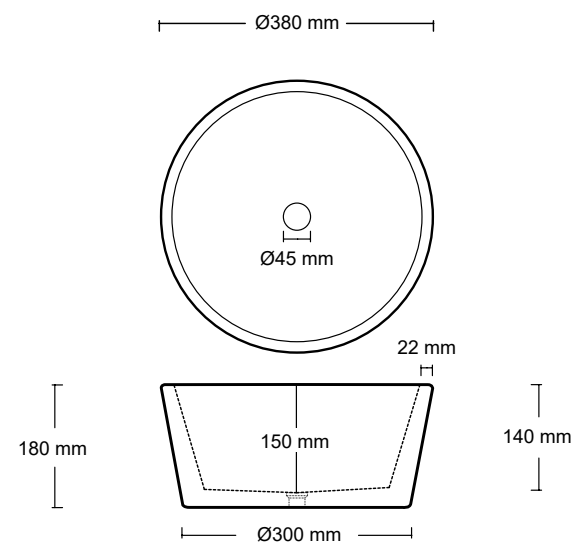
CIRCUM 3826 is made of cast concrete. Design by Urbi et Orbi in 2013.

CIRCUM 3826 è realizzato in cemento. Design realizzato da Urbi et Orbi nel 2013.

CIRCUM 3826 wird aus Gussbeton. Design von Urbi et Orbi, 2013.

# CIRCUM 3817

concrete washbasin



 11.5 KG



page: 18|19

Available in 6 shades (Anthracite, Dark Grey, Medium Grey, Light Grey, Ivory, Brown/Beige).

Disponibile in sei tonalità (Antracite, Grigio Scuro, Grigio Medio, Grigio Chiaro, Avorio, Marrone / Beige).

In 6 Farben erhältlich (Anthrazit, Dunkelgrau, mittleres Grau, Hellgrau, Elfenbeinfarben, Braun/Beige).



**CIRCUM 3817** is made of cast concrete. Design by Urbi et Orbi in 2013.

**CIRCUM 3817** è realizzato in cemento. Design realizzato da Urbi et Orbi nel 2013.

**CIRCUM 3817** wird aus Gussbeton. Design von Urbi et Orbi, 2013.



Ibagno showroom



Urbi et Orbi

S : [www.urbietorbi.gr](http://www.urbietorbi.gr)

E : [info@urbietorbi.gr](mailto:info@urbietorbi.gr)

T : 0030 210 4520178

*All rights reserved."Urbi et Orbi" brand and logos are registered trademarks. The industrial models of the product, the designation and the product photos are protected by the applicable copyright laws.*

*Urbi et Orbi reserves the right, in order to improve the capacities of the products, to make modifications to them, as if reference the raw materials, dimensions, weight, qualities or features, without prior notice.*

Cast Concrete Elements