

How to install your Shelf Bracket

We recommend using a qualified tradesman for installation.

Contents

Shelf Bracket - x1



No 10 x 50 screws - x2



No 6 x 19 screws - x2



Wall plugs - x2



Plugs (for use when not fixing shelf
with screws) - x2



Tools required

- Appropriate safety equipment i:e safety glasses
- Spirit level
- Drill
- Screwdriver
- Tape measure
- Pencil

Step One - Safety

Use a wire/pipe power detector to ensure that there are no electrical cables or water pipes where you intend to position the shelf.

Step Two - Vertical positioning of your shelves

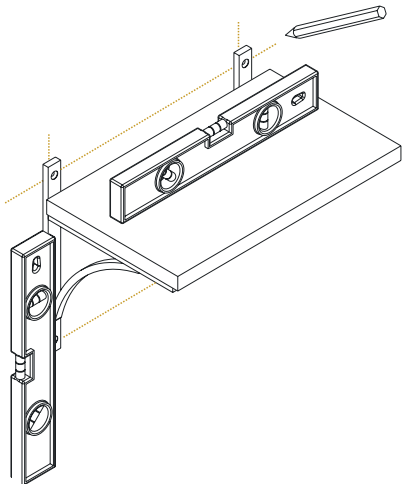
Use a tape measure and spirit-level to mark the vertical position for your shelf bracket with a pencil. Your mark should be for the top of the shelf bracket and bottom of the shelf bracket.

Step Three - Draw a level line

Use the spirit level and a pencil to draw a perfectly horizontal line along the area of the wall where you intend to mount the shelf. If your spirit level has a measure on it, draw the line to the full length of the shelf. If not, use a tape measure and redraw the line a couple of times, until it is the same length of the shelf.

Step Four - Mark positions for the shelf brackets

Decide where to position the brackets and mark these positions on your horizontal line. Focusing on one bracket at a time, place the top of the bracket up to horizontal line and centre on your positioning mark. Keeping the bracket perfectly still, use a pencil to mark the screw holes on the wall. Repeat this for each of the brackets.



Step Five - Drill into the wall

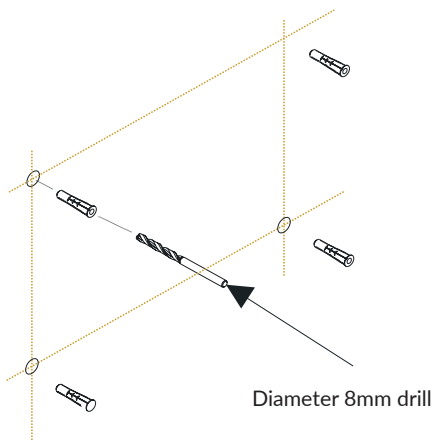
Drill into the walls at the centre point of all your screwhole markings. Drill the holes deep enough in to the wall to fully accommodate the wall plugs.

Step Six - Insert wall plugs

Insert the wall plugs into the drilled holes. Ensure that the wall plugs are fully inserted and they all sit flush to the wall – tap gently with a hammer if necessary. If any of your wall plugs are sticking out, they will prevent your bracket from sitting flush to the wall when mounted.

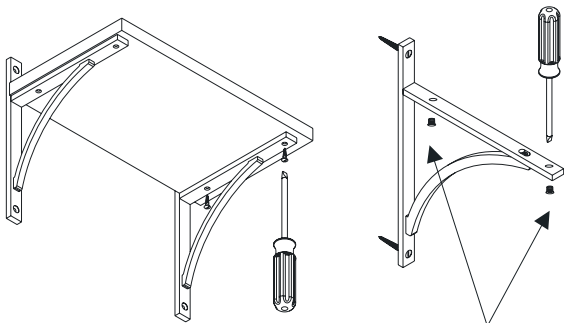
Step Seven - Fix shelf brackets to the wall

Screw shelf brackets to the wall using a screwdriver and No 10 x 50 countersunk screws.



Step Eight - Fix shelf to brackets

Position shelf to the supporting brackets and ensure it is level, sitting central on the brackets. Use a screwdriver and No 6 x 19 countersunk screws to fix brackets to the underside of shelf. Alternatively, fit plugs provided should you wish to bond a shelf to the bracket.



2 plugs for use when not fixing shelf with screws

Finish Care & Cleaning

Thank you for purchasing your brass shelf bracket from Armac Martin. Our products are of the finest quality and hand finished.

Please follow the below care guide to maintain the condition of the product.

- Wipe your product down with a soft dry cloth at regular intervals
- Do not use abrasive cleaners, ammoniated products, rubbing alcohol, detergents, astringents, bleach based cleaners, aggressive chemicals, abrasive cleaning pads, or harsh polishes on the product.